



Department of Metallurgy and Materials Engineering

**COEP Technological University**

(A Unitary public University of Govt. of Maharashtra)

Shivajinagar Pune – 411005, India

020 25507800

Fax : 020-25507299

COEP/MET/2025-26/69

Date: 20/04/26

To,  
Vendors

List enclosed

**Subject: Enquiry for supply of Graphite crucibles.**

Dear Sir/Madam,

Please quote for the following item with detailed bifurcation of basic cost, taxes and other charges if any-

| Sr. No. | Description of Item (s)   | Qty. Reqd. |
|---------|---|------------|
| 1       | <b><u>Graphite crucibles.</u></b><br>Specifications as follows:<br><br>Cylindrical Crucible with high-density (>1.9 g/cm <sup>3</sup> ),<br><b>Engineering drawing attached</b> | 10         |

You are requested to quote a competitive rate within 7 days from the date of issue of quotation. Sealed envelope quotation shall superscribe quotation no. and posted to HOD, ~~Metallurgy and Materials Engineering,~~ COEP Technological University, Pune, Shivajinagar, Pune-5.

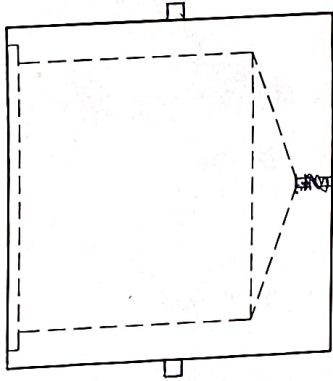
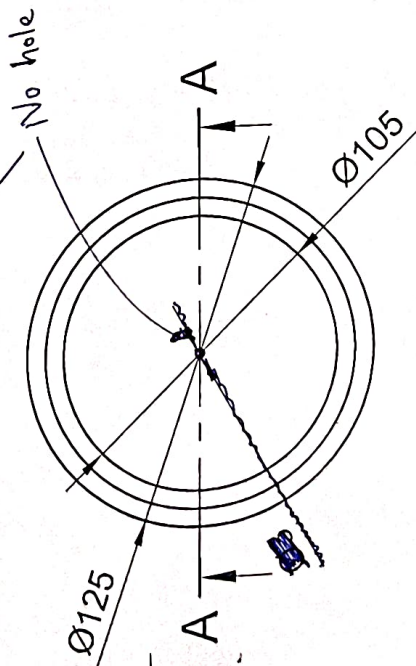
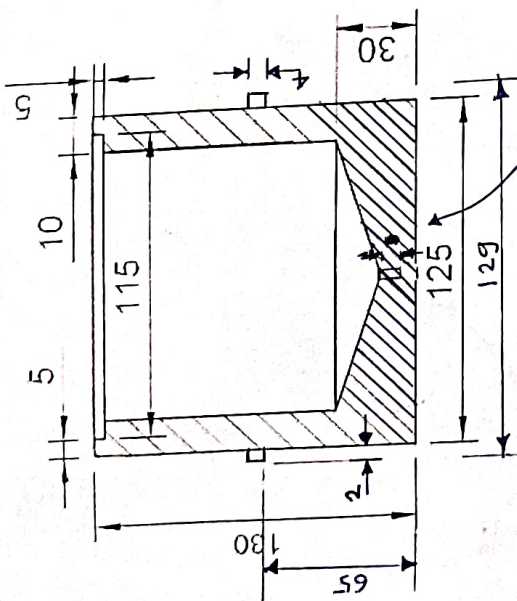
COEP office

Thanking you

20/04/26  
Anisha Kulkarni

Head of Department  
Metallurgy and Materials Engineering  
COEP Technological University

N. S. Shinde  
DRD - ARM/REB  
Project



**Bill Of Material**

| Item              | Qty. | Description   | Standard                          | Material   |
|-------------------|------|---|-----------------------------------|--|
| Graphite Crucible | 10   | Cylinder Crucible high-density (>1.9 g/cm <sup>3</sup> ), fine-grain, low porosity, custom machined | ISO 20203 / ASTM C561 / ASTM C749 | Isostatically pressed graphite (≥ 99.9 % Purity) |

CREATED BY: NILESH SONAWANE  
DATE: 16/03/2026

CHECKED BY:  
DATE:

A4

SCALE:  
1:4

ALL DIMENSIONS ARE IN MM

SHEET: 1/1

**TITLE: FABRICATION OF GRAPHITE VESSEL**

**POWDER META LAB, COEP TECH.**

GRAPHITE VESSEL 01